

# 2009 Sundance Spas 680 Burlington

## Specifications

<b>Dimensions:</b> .....	81" x 86" x 37.5" (206 cm x 218.5 cm x 95.5 cm)
<b>Seating Capacity:</b> .....	5-6 Adults
<b>Dry Weight:</b> .....	727 lbs (330 kg)
<b>Filled Weight:</b> .....	4,249 lbs (1,927 kg)
<b>Water Capacity (Avg. Fill):</b> .....	435 US Gal (1,647 Liters)
<b>Controls:</b> .....	Solid-State Electronic Controls with LED Readout, Programmable Water Temperature, Filtration, and Heat Cycles
<b>Water Delivery:</b> .....	1 High-Flow Pump
<b>Pump 1:</b> .....	North America (60 Hz): 2-Speed/2.5 HP Continuous, 11A max. <b>Export (50 Hz): 2-Speed/2.0 HP continuous, 8.0A max.</b>
<b>Optional Pump 2:</b> .....	Optional High Output Dynamic Flow, 24-Hour Filter/Circulation Pump (35 gpm)
<b>Total Hydrojets:</b> .....	<b>25</b>
<b>Lounge Jets (A):</b> .....	8 DXL
<b>Upright Pivot Seat 1 Jet (B):</b> .....	1 DXL
<b>Therapy Seat 1 Jets (C):</b> .....	4 DVX
<b>Upright Pivot Seat 2 Jet (D):</b> .....	1 DVX
<b>Accu-Pressure Seat Jets 2 (E):</b> .....	2 DX, 6 DL
<b>Cool Down Seat Jet (F):</b> .....	1 DXL
<b>Foot Well Jets (G):</b> .....	2 DVX
<b>Air Controls/Massage Selectors:</b> .....	4/1
<b>Filter:</b> .....	Two, 45 ft <sup>2</sup> Filter Cartridge System
<b>Water Treatment:</b> .....	Ozone adaptable
<b>Lighting:</b> .....	Standard 12V Footwell Light, Optional CL Lighting LED System (Interior Surround and Footwell)
<b>Synthetic Cabinet:</b> .....	Available in Sierra, Coastal, Birchwood, and Mahogany
<b>Shell Colors:</b> .....	North America: Platinum, Sand, Celestite, Sahara, Oyster, Copper Sand, Twilight, Graphite <b>Export (50 Hz): All North America colors</b>
<b>Headrest:</b> .....	Three, 1-piece gray
<b>Heater:</b> .....	North America (60 Hz): 5.5 kW 240V <b>Export (50 Hz): 2.7 kW</b>
<b>Electrical Requirements:</b> .....	North America (60 Hz): 240 VAC@40A or 50A <b>Export (50 Hz): 230-240 VAC@20A or 30A; or Suitably Rated Circuit Breaker to Comply with Local Electrical Regulations. Certain Countries May Require 2 Power Inputs; Two GFCI/RCD Breakers are Required for This Configuration.</b>
<b>Limited Warranty*:</b> .....	North America (60 Hz): 5 Years Shell, 3 Years Shell Surface, 3 Years Plumbing Component Leaks, 3 Years Equipment and Controls, 1 Year Cabinet, 1 Year Jets <b>Export (50 Hz): 5 Years Shell, 3 Years Shell Surface, 1 Year Plumbing Component Leaks, 1 Year Equipment and Controls, 1 Year Cabinet, 1 Year Jets</b>
<b>Waterfall Feature:</b> .....	Variable Valve Control
<b>Special Features:</b> .....	Optional CL Stereo System with 4 Speakers; No Subwoofer
<b>Inground Model:</b> .....	Not Available



**Optional factory only installed CL 24-hour circulation pump**

**Optional factory only installed CL jet with escutcheons**

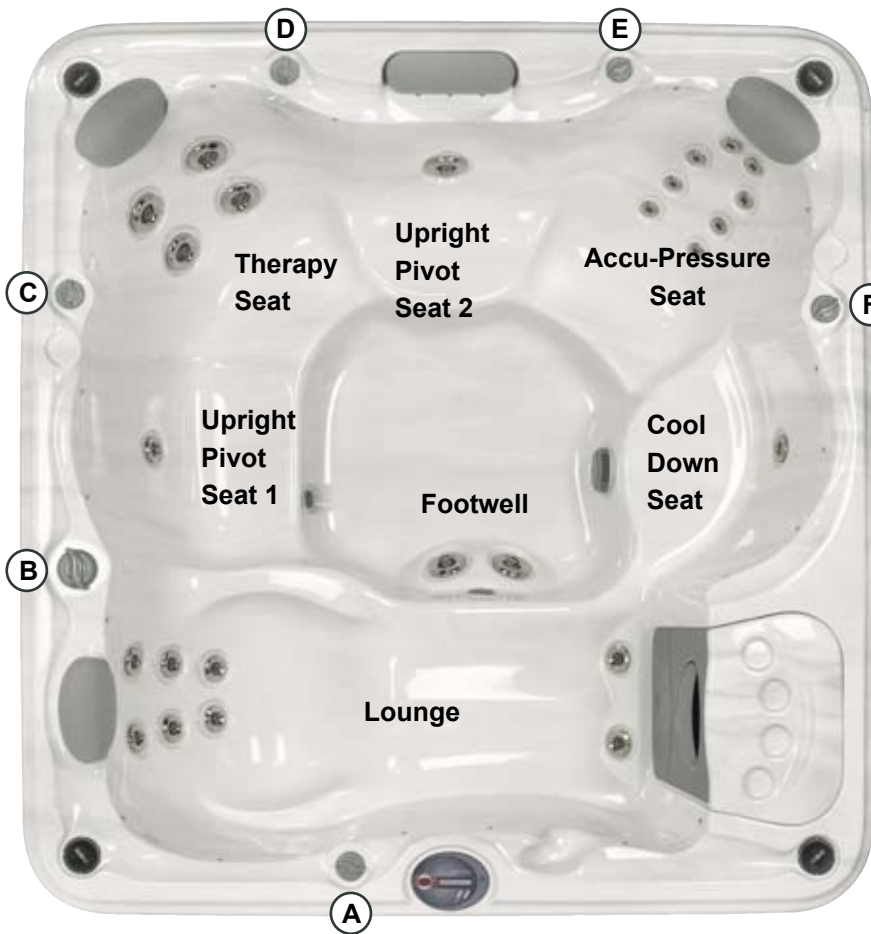
**Optional factory only installed CL lighting LED system**

\*(See Warranty Document for Specific Details)

Dimensions/Specifications Subject To Change Without Notice

# 2009 Sundance Spas 680 Burlington

## Operation/New Features



**(A)** Air control - Adjusts Lounge Jets (8 DXL) + Upright Pivot Seat 1 Jet (1 DXL)

**(B)** Massage Selector [Pump 1]- Adjusts Accu-Pressure Seat Jets (2 DX, 6 DL) + Footwell Jets (2 DVX) + Upright Pivot Seat 1 Jet (1 DXL) + Upright Pivot Seat 2 Jet (1 DVX) + Cool Down Seat Jet ( 1 DXL) and Lounge Seat Jets (8 DXL) + Therapy Seat Jets (4 DVX)

**(C)** Air Control - Adjusts Footwell Jets (2 DVX)

**(D)** Air Control - Adjusts Therapy Seat Jets (4 DVX) + Upright Pivot Seat 2 Jet (1 DVX) + Cool Down Seat Jet (1 DXL)

**(E)** Waterfall Selector - Controls Waterfall Output

**(F)** Air Control - Adjusts Accu-Pressure Seat Jets (2 DX, 6 DL)

• Jets Pump 1: Powers all Jets + Waterfall when running

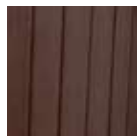
### 25 Total Jets



Spa Operation Subject To Change Without Notice

## NEW FOR 2009!

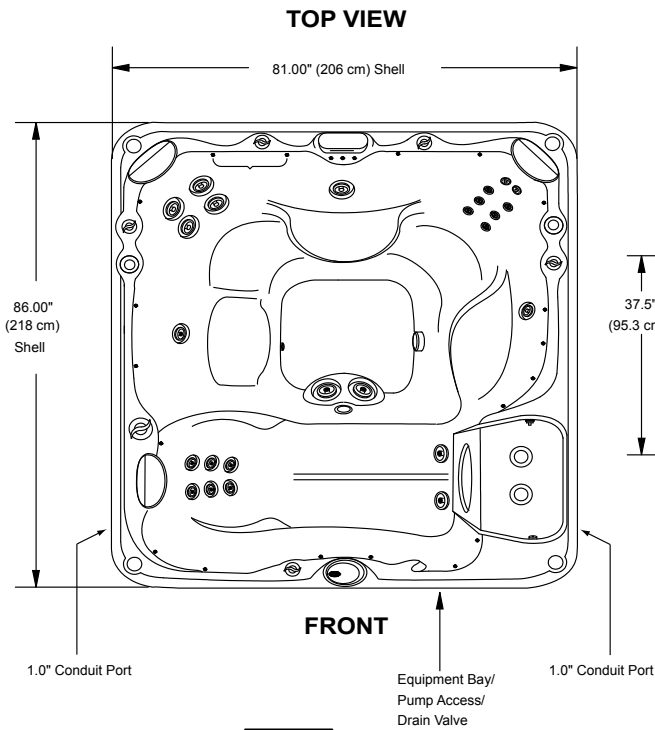
### Mahogany Skirt



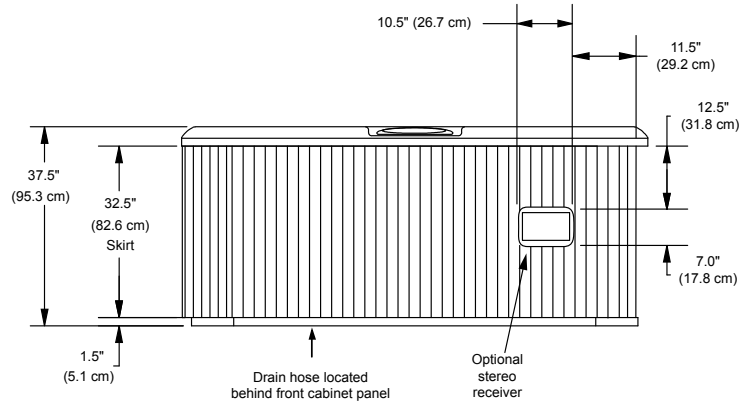
Dimensions/Specifications Subject To Change Without Notice

# 2009 Sundance Spas 680 Burlington

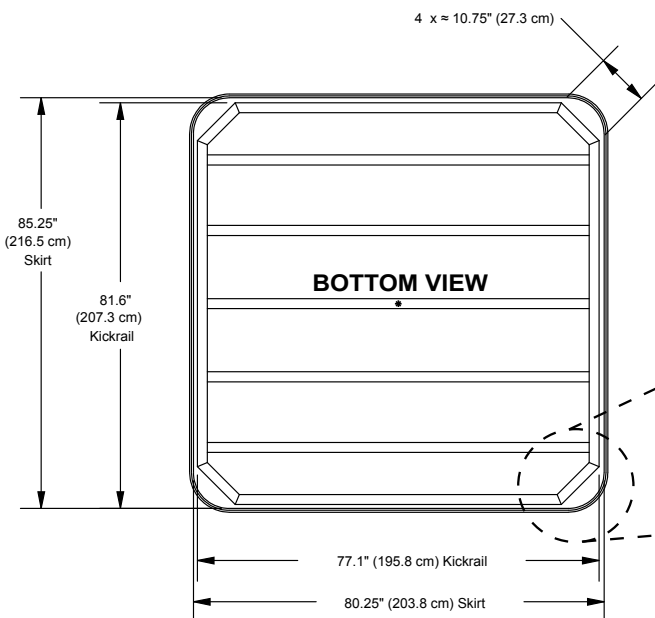
## Portable Dimensions



**FRONT VIEW**  
(Front view with stereo option shown)



**IMPORTANT! Always measure each hot tub for exact dimensions BEFORE designing its foundational support and/or decking.**



**SIDE VIEW**

