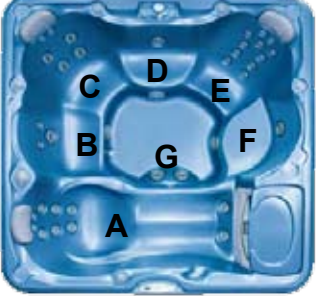


# 2009 Sundance Spas 780 Certa Specifications

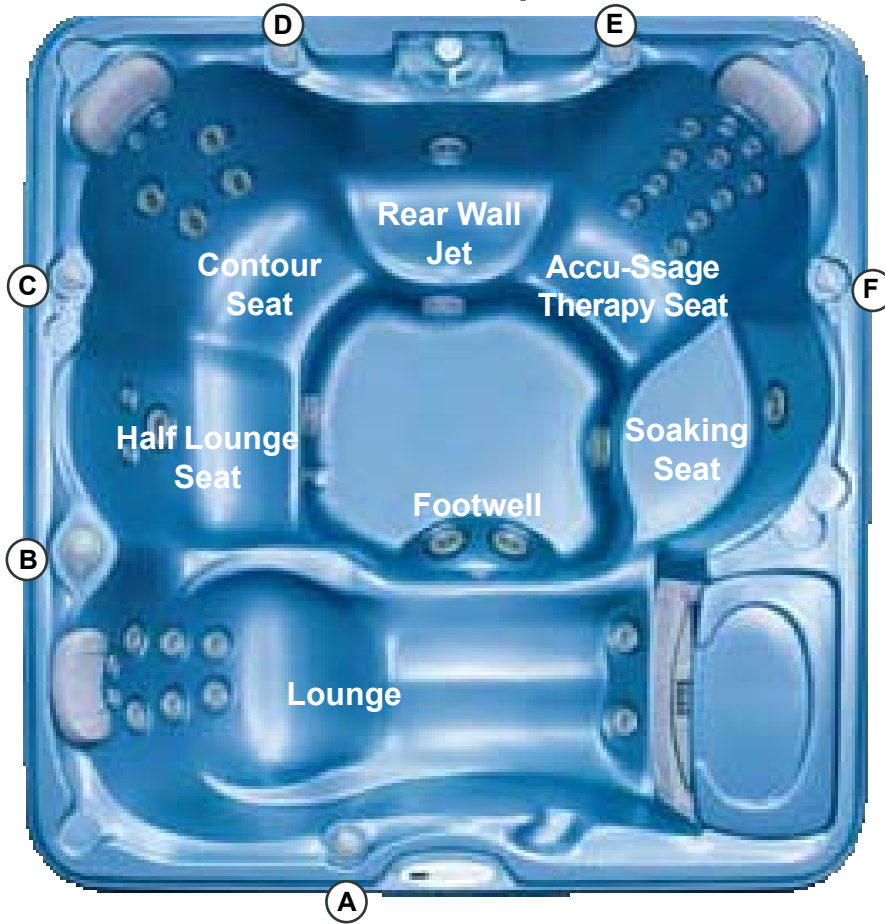
<p><b>Dimensions:</b> ..... 81" x 86" x 37.5" (206 cm x 218.5 cm x 95.25 cm)</p> <p><b>Seating Capacity:</b> ..... 5-6 Adults</p> <p><b>Dry Weight:</b> ..... 780 lbs (354 kg)</p> <p><b>Filled Weight:</b> ..... 4,477 lbs (2,031 kg)</p> <p><b>Water Capacity (Avg. Fill):</b> ..... 443 US Gal (1,677 Liters)</p> <p><b>Controls:</b> ..... 780 Series Solid-State Electronic Controls with LED Readout, Programmable Water Temperature, Filtration, and Heat Cycles</p> <p><b>Water Delivery:</b> ..... 2 High Flow Pump</p> <p><b>Pump 1:</b> ..... North America (60 Hz): 2-Speed/2.5 HP Continuous, 11A Max. <b>Export (50 Hz): 2-Speed/2.0 HP Continuous, 8.0A Max.</b></p> <p><b>Pump 2:</b> ..... North America (60 Hz): 1-Speed/1.5 HP Continuous, 10A Max. <b>Export (50 Hz): 1-Speed/2.0 HP Continuous, 7.0A Max.</b></p> <p><b>Pump 3:</b> ..... 24-Hour Filter/Circulation Pump</p> <p><b>Total Hydrojets:</b> ..... <b>34</b></p> <p><b>Lounge Jets (A):</b> ..... 2 SMT Micro, 8 SMT Fluidix</p> <p><b>Half Lounge Jets (B):</b> ..... 2 Accu-Pressure, 1 SMT</p> <p><b>Contour Seat Jets (C):</b> ..... 2 SMT Micro, 4 SMT Mini</p> <p><b>Rear Wall Jet (D):</b> ..... 1 SMT</p> <p><b>Accu-Ssage Seat Jets (E):</b> ..... 2 SMT Micro, 9 Accu-Pressure</p> <p><b>Soaking Seat Jet (F):</b> ..... 1 SMT</p> <p><b>Footwell Jets (G):</b> ..... 2 SMT</p> <p><b>Air Controls/Massage Selectors:</b> ..... 4/1; Diverter and Air Control with LED Light Rings</p> <p><b>Filter:</b> ..... MicroClean I Filtration System with Floating Weir, 125 ft<sup>2</sup> combined filtration, (1 pleated and 1 spun-bound cartridge)</p> <p><b>Water Treatment:</b> ..... Automatic Brominator and 24-Hour Circulation Pump; Ozone Adaptable</p> <p><b>Lighting:</b> ..... Standard Multi-Colored SunRay LED Light</p> <p><b>Synthetic Cabinet:</b> ..... Available in Sierra, Coastal, Birchwood, and Mahogany</p> <p><b>Shell Colors:</b> ..... North America: Platinum, Sand, Sahara, Celestite, Oyster, Copper Sand, Twilight, Graphite <b>Export (50 Hz): All North America Colors</b></p> <p><b>Handrails:</b> ..... Two Integral</p> <p><b>Headrests:</b> ..... Three, 1-Piece Gray</p> <p><b>Heater:</b> ..... North America (60 Hz): 5.5 kW, High Flow <b>Export (50 Hz): High Flow, 2.7 kW</b></p> <p><b>Electrical Requirements:</b> ..... North America (60 Hz): 240 VAC@40A, 50A, or 60A; <b>Export (50 Hz): 230-240 VAC@20A, 30A, or 40A; or Suitably Rated Circuit Breaker to Comply with Local Electrical Regulations. Certain Countries May Require Dual Power Inputs; Two GFCI/RCD Breakers are Required for This Configuration.</b></p> <p><b>Limited Warranty*:</b> ..... North America (60 Hz): 10 Years Shell, 7 Years Shell Surface, Years for Plumbing Component Leaks, 5 Years Equipment and Controls 5 Years Cabinet, 2 Years Jets <b>Export (50 Hz): 10 Years Shell, 7 Years Shell Surface, 2 Years Plumbing, 2 Years Equipment and Controls, 2 Years Cabinet, 2 Years Jets</b></p> <p><b>Waterfall Feature:</b> ..... On/Off Flow Rate; Colored Lighting</p> <p><b>Special Features</b> ..... Optional Factory Installed SunSurround Stereo System with Standard Wireless Remote Control and MP3 Plug</p> <p><b>Inground Model:</b> ..... Not Available</p>	 <div style="border: 1px solid black; padding: 5px; margin-top: 20px; text-align: center;"> <p><b>Optional Factory Only Installed Stainless Steel Jet Escutcheons</b></p> </div>
------------------------------------------------------------------------------------------------------------------------------------------------------------------------------------------------------------------------------------------------------------------------------------------------------------------------------------------------------------------------------------------------------------------------------------------------------------------------------------------------------------------------------------------------------------------------------------------------------------------------------------------------------------------------------------------------------------------------------------------------------------------------------------------------------------------------------------------------------------------------------------------------------------------------------------------------------------------------------------------------------------------------------------------------------------------------------------------------------------------------------------------------------------------------------------------------------------------------------------------------------------------------------------------------------------------------------------------------------------------------------------------------------------------------------------------------------------------------------------------------------------------------------------------------------------------------------------------------------------------------------------------------------------------------------------------------------------------------------------------------------------------------------------------------------------------------------------------------------------------------------------------------------------------------------------------------------------------------------------------------------------------------------------------------------------------------------------------------------------------------------------------------------------------------------------------------------------------------------------------------------------------------------------------------------------------------------------------------------------------------------------------------------------------------------------------------------------------------------------------------------------------------------------------------------------------------------------------------------------------------------------------------------------------------------------------------------------------------------------------------------------------------------------------------------------------------------------------------------------------------------------------------------------------------------------------------------------------------------------------------------------------------------------------------------------------------------------------------------------------------------------------------------------------------------------------------------------------------------------------------------------------------------------------------------------------------	-----------------------------------------------------------------------------------------------------------------------------------------------------------------------------------------------------------------------------------------------------------------------------

\*(See Warranty Document for Specific Details)

Dimensions/Specifications Subject To Change Without Notice

# 2009 Sundance Spas 780 Certa

## Operation/New Features



- (A)** Air Control - Adjusts All Lounge Jets (2 SMT Micro, 8 SMT Fluidix) + All Half Lounge Jets (2 Accu-Pressure, 1 SMT)
  - (B)** Massage Selector [Pump 1]- Adjusts Massage Level Between Lounge + Half Lounge Jets and All Accu-Ssage Seat Jets + Footwell Jets
  - (C)** Air Control - Adjusts All Footwell Jets (2 SMT)
  - (D)** Air Control - Adjusts All Contour Seat Jets (2 SMT Micro, 4 SMT Mini) + Rear Wall Jet (1 SMT) + Soaking Seat Jet (1 SMT)
  - (E)** Air Control - Adjusts Accu-Ssage Seat Jets (2 SMT Micro, 9 Accu-Pressure)
  - (F)** Waterfall Selector [24-Hour Circ. Pump] - Controls Waterfall Output
- Jets Pump 2: All Contour Seat Jets + Rear Wall Jet + Soaking Seat Jet are always on when this pump is running

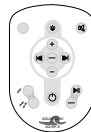
### 34 Total Jets



Spa Operation Subject To Change Without Notice

## NEW FOR 2009!

### New Wireless Remote

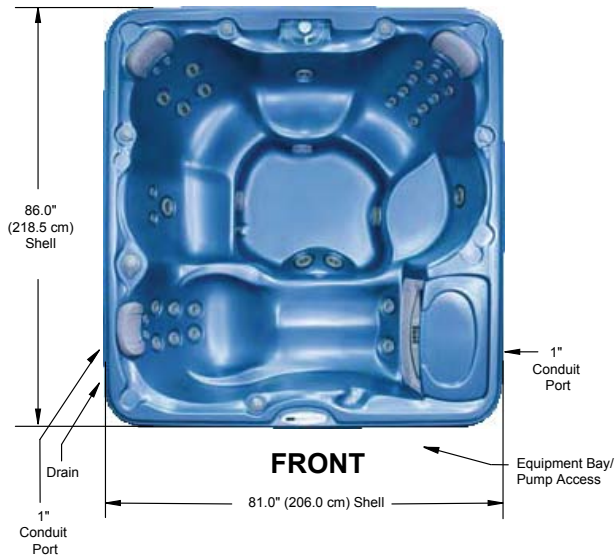


Dimensions/Specifications Subject To Change Without Notice

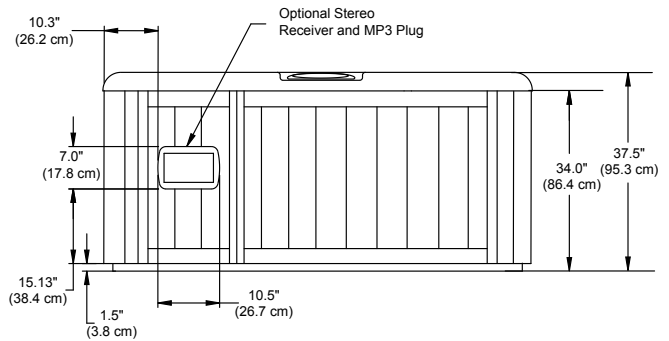
# 2009 Sundance Spas 780 Certa

## Certa Portable Dimensions

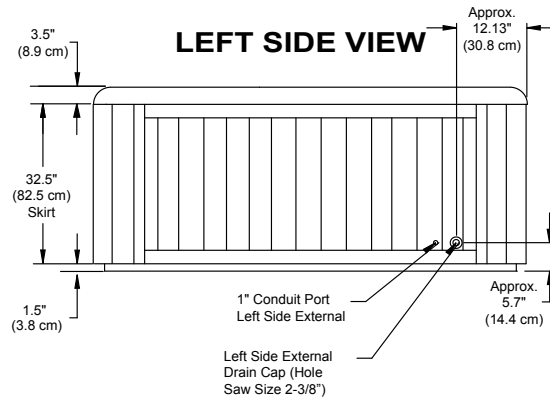
**TOP VIEW**



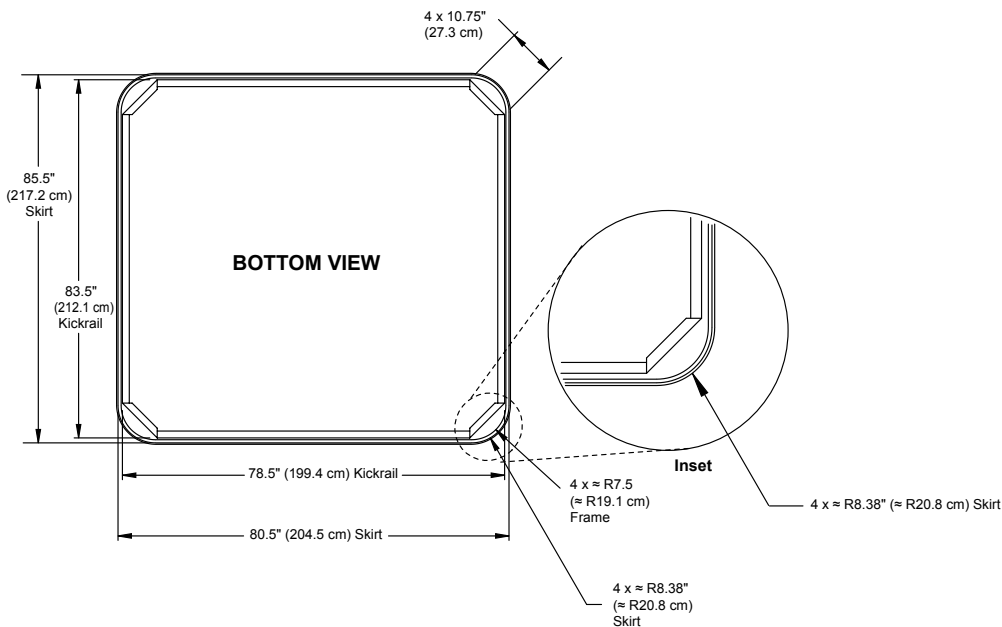
**FRONT/BACK VIEW**  
(Front view of stereo option shown)



**LEFT SIDE VIEW**



**IMPORTANT! Always measure each hot tub for exact dimensions BEFORE designing its foundational support and/or decking.**



Dimensions/Specifications Subject To Change Without Notice