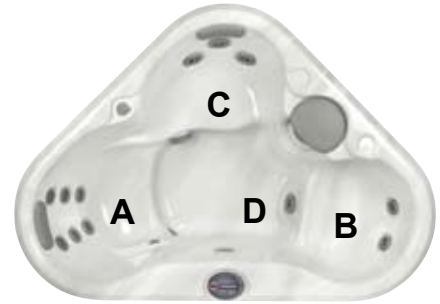


# 2009 Sundance Spas 680 Tacoma Specifications

<b>Dimensions:</b> .....	68" x 68" x 31" (173 cm x 173 cm x 79 cm)
<b>Seating Capacity:</b> .....	2 Adults
<b>Dry Weight:</b> .....	394 lbs (179 kg)
<b>Filled Weight:</b> .....	1,946 lbs (883 kg)
<b>Water Capacity (Avg. Fill):</b> .....	186 US Gal (704 Liters)
<b>Controls:</b> .....	Series Solid-State Electronic Controls with LED Readout, Programmable Water Temperature, Filtration and Heat Cycles
<b>Water Delivery:</b> .....	1 High Flow Pump
<b>Pump 1:</b> .....	North America (60 Hz): 1.5 HP/2-Speed Continuous, 11.0A max. <b>Export (50 Hz): 2-HP/2-Speed Continuous, 8.0A max.</b>
<b>Total Hydrojets:</b> .....	<b>12</b>
<b>Therapy Seat 1 Jets (A):</b> .....	6 DXL
<b>Therapy Seat 2 Jets (B):</b> .....	3 DVX
<b>Therapy Seat 3 Jets (C):</b> .....	2 DXL
<b>Foot Well Jet (D):</b> .....	1 DVX
<b>Air Controls/Massage Selectors:</b> .....	1 Air Control; No Massage Selector
<b>Filter:</b> .....	35 ft <sup>2</sup> Filter Cartridge System
<b>Water Treatment:</b> .....	Ozone adaptable
<b>Lighting:</b> .....	SunGlow Multi-Color LED Light
<b>Synthetic Cabinet:</b> .....	Available in Sierra, Coastal, Birchwood, and Mahogany
<b>Shell Colors:</b> .....	North America: Platinum, Sand, Sahara, Copper Sand, Twilight, Graphite, Celestite, Oyster <b>Export (50 Hz): All North America colors</b>
<b>Headrest:</b> .....	Two, 1-Piece Gray
<b>Heater:</b> .....	North America (60 Hz): High Flow, 1 kW@120 VAC or Convertible to 4 kW@240 VAC; <b>Export (50 Hz): High Flow, 2.7 kW</b>
<b>Electrical Requirements:</b> .....	North America Convertible Model (60 Hz): 120 VAC@15A with Supplied GFCI Cord or 240 VAC@30A or 40A (Hard Wired Only); <b>Export (50 Hz): 230-240 VAC@20A or 30A or Suitably Rated Circuit Breaker to Comply with Local Electrical Regulations. Certain Countries May Require 2 Power Inputs; Two GFCI/RCD Breakers are Required for This Configuration.</b>
<b>Limited Warranty*:</b> .....	North America (60 Hz): 5 Years Shell, 3 Years Shell Surface, 3 Years Plumbing Component Leaks, 3 Years Equipment and Controls, 1 Year Cabinet and Jets <b>Export (50 Hz): 5 Years Shell, 3 Years Shell Surface, 1 Year Plumbing Component Leaks, 1 Year Equipment and Controls, 1 Year Cabinet, 1 Year Jets</b>
<b>Inground Model:</b> .....	Not Available



\*(See Warranty Document for Specific Details)

Dimensions/Specifications Subject To Change Without Notice

# 2009 Sundance Spas 680 Tacoma

## Operation/New Features



**A** Air Control - Supplies Air to All Jets

### 12 Total Jets



Spa Operation Subject To Change Without Notice

## NEW FOR 2009!

**DXL Jet**



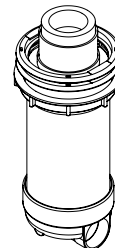
**DVX Jet**



**Mahogany Skirt**



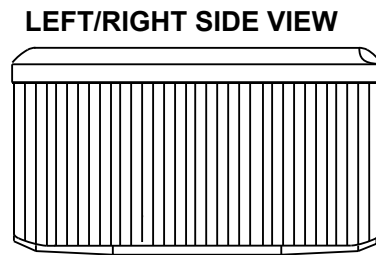
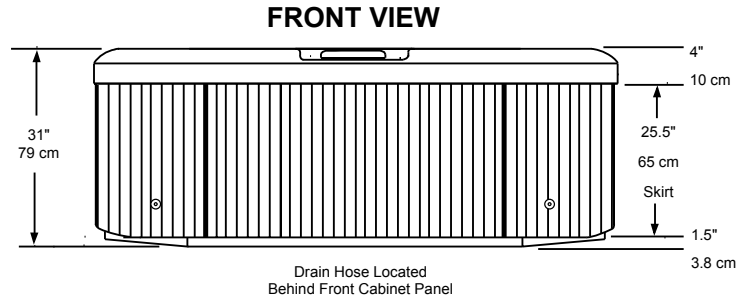
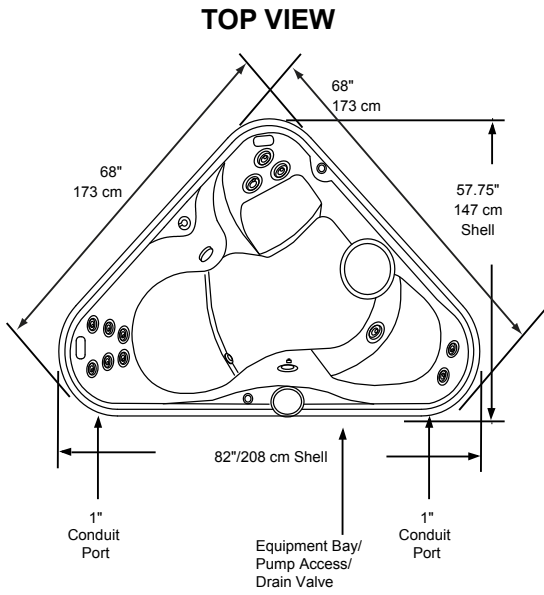
**EZ Filter Canister**



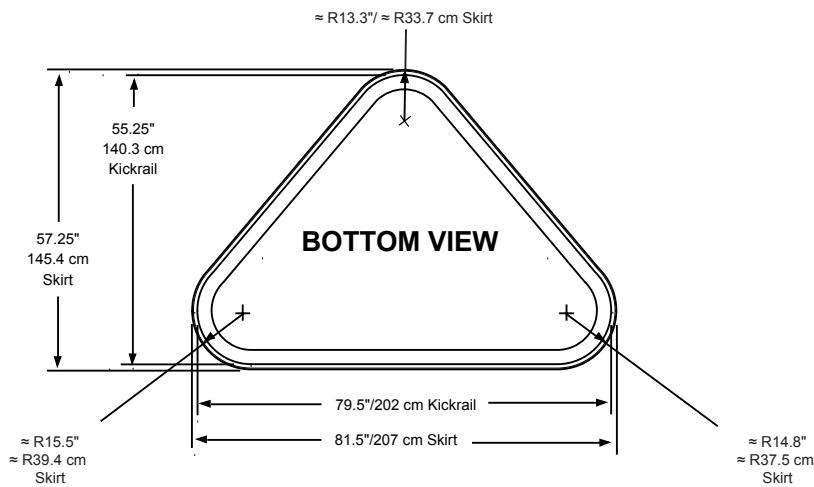
Dimensions/Specifications Subject To Change Without Notice

# 2009 Sundance Spas 680 Tacoma

## Portable Dimensions



**IMPORTANT!** Always measure each hot tub for exact dimensions **BEFORE** designing its foundational support and/or decking.



Dimensions/Specifications Subject To Change Without Notice